

### Features

- Acrylic and reinforced with fiberglass
- Freestanding seamless design
- Includes pop-up drain and overflow
- 1498 x 758 x 612 mm

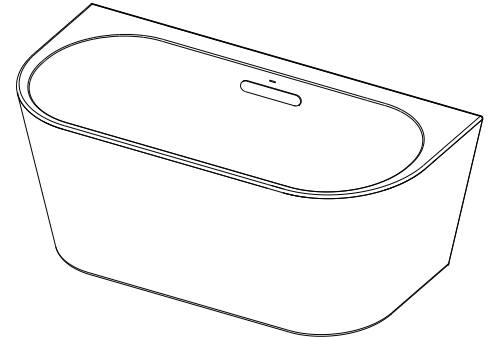
### Codes/Standards Applicable

Specified model meets or exceeds the following:

- ANSI Z124.1.2
- TIS 2141-2546
- JC/T 779

### Installation Notes

Install this product according to the installation guide.  
Floor support under bath must provide for a minimum of 390 kg/square meter loading.



### Technical Information

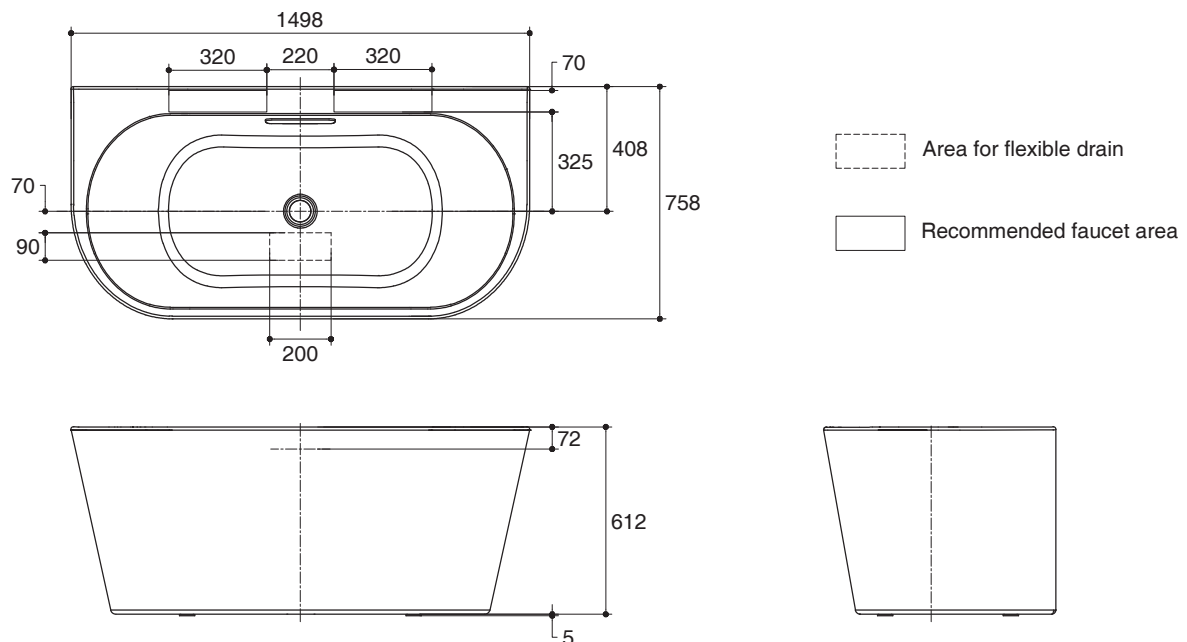
|  |               |
|--|---------------|
| Fixture:                                       |               |
| Basin area:                                    |               |
| Basin area bottom                              | 927 x 465 mm  |
| Basin area top                                 | 1397 x 638 mm |
| *Approximate measurements for comparison only. |               |

|                |                 |
|----------------|-----------------|
| To overflow:   |                 |
| Water depth    | 423 mm          |
| Capacity       | 222 liters      |
| Drain hole     | Ø38 mm (1-1/2") |
| Over flow slot | 191 x 21mm      |

### Specified Model

| Model    | Description                         | Color/Finished |
|----------|-------------------------------------|----------------|
| K-22160T | EVOK 1.5M D-SHAPE FREESTANDING BATH | 0: White       |

Dimensions are approximate.  
Unit: mm



### Product Diagram

### 产品特点

- 亚克力浴缸
- 独立式无缝设计
- 含弹跳式落水
- 1498 x 758 x 612 mm

### 适用法规/标准

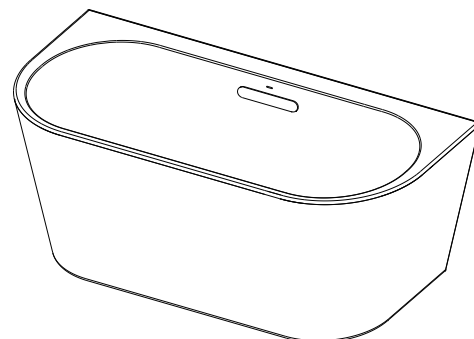
指定型号满足或超过以下法规/标准:

- ANSI Z124.1.2
- TIS 2141-2546
- JC/T 779

### 安装说明

根据安装指南安装本产品。

浴缸下地面必须可承载至少 390 kg/平方米 的重量。



### 技术信息

|              |               |
|--------------|---------------|
| 装置:          |               |
| 浴缸面积:        |               |
| 底部面积         | 927 x 465 mm  |
| 顶部面积         | 1397 x 638 mm |
| *近似尺寸, 仅供对比。 |               |

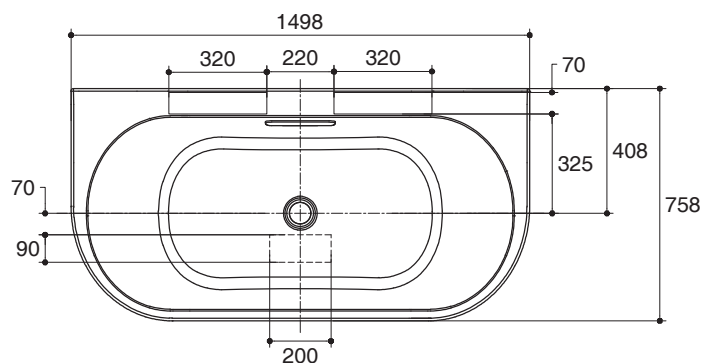
|     |                 |
|-----|-----------------|
| 溢流: |                 |
| 水深  | 423 mm          |
| 容量  | 222 liters      |
| 排水孔 | Ø38 mm (1-1/2") |
| 溢流槽 | 191 x 21mm      |

### 指定型号

| 型号       | 描述                  | 颜色/饰面 |
|----------|---------------------|-------|
| K-22160T | 艾芙1.5米独立式亚克力浴缸 (D型) | 0: 白色 |

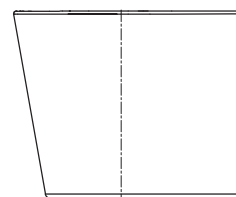
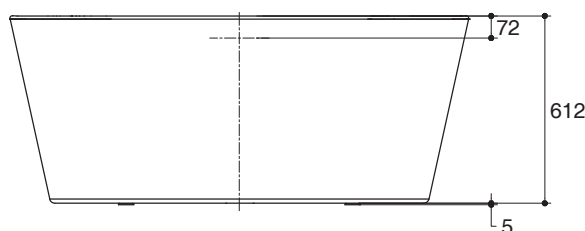
尺寸为大约值。

单位: mm



 排水软管位置

 建议龙头位置



### 产品示意图